



“

The strength of our future lies in the fact that now more than ever, it is being shaped by those who previously felt constrained due to the scale of their business operations.

That's why I am continuously developing OEI. We provide lighting solutions for the automotive industry that, until now, were exclusively available to the largest and the chosen few.

This democracy and equality of the future, which will unleash the full creativity of producers of selective series, is my greatest motivation in developing OE Industry.

Piotr Luty_founder

Your creativity unleashed

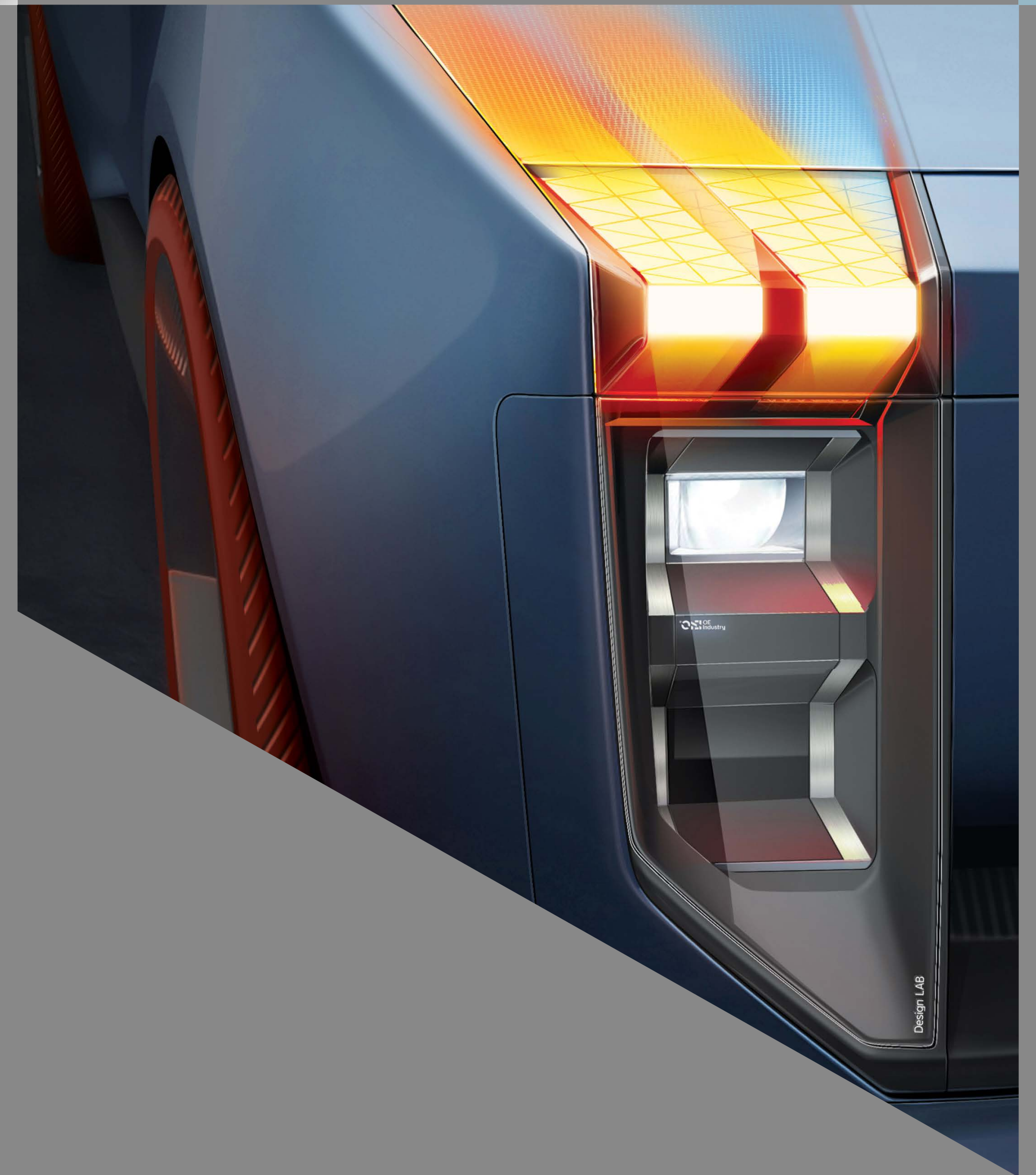
Over the past several years, built on attentive listening and work as a lighting supplier, OE Industry has gained something priceless.

Awareness of the needs of selective series producers. Needs that today, with pride and confidence, we transform into opportunities.

We have become a lighting manufacturer for series production of several thousand pieces, in order to:

- + Make your projects significantly stand out in technological value in the market.
- + Provide your company with an entirely new spectrum of business possibilities.
- + Make your vision more achievable than ever before.

WHY? Because together, we will ensure that the future of the automotive industry is free from limitations.





01. Design

Your headlight, designed by our interdisciplinary team OEI Design LAB.

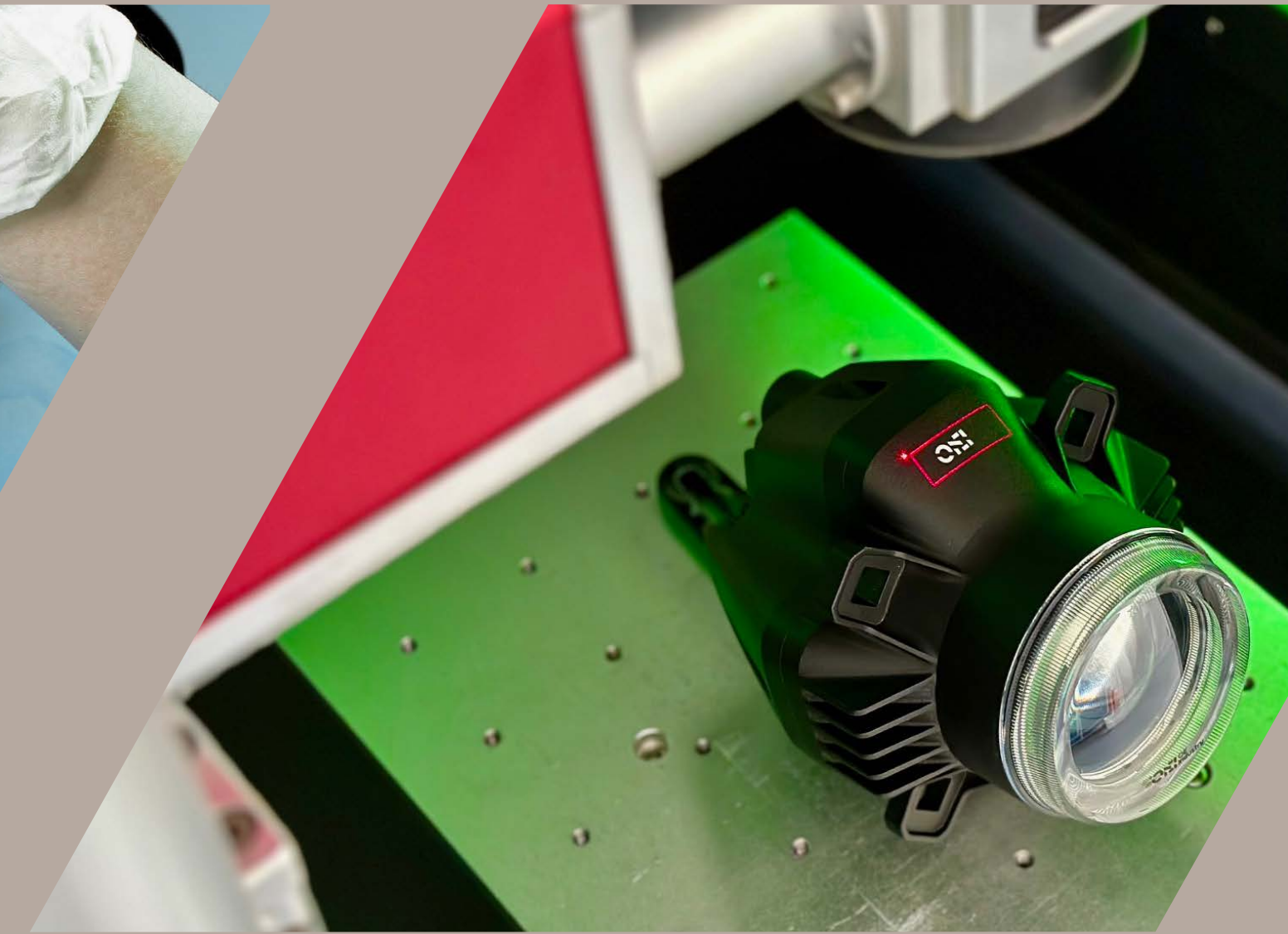
Unique and captivating in every detail. Attracting attention and competently keeping it.



02. Prototyping

See before you order. Get to know better before you install.

Let your purchasing decision be based on knowledge, awareness, and unlocking the full potential of your brand.



03. Production

A headlight produced under the supervision of OE Industry ensures a standard that surpasses your expectations.

Now and in the future.



04. Delivery on time

Your time is your most precious currency, which is why we take care of organizational, formal matters (such as patents, country of origin, certification etc.) and logistics on our side.

OEI Distribution in DNA

OE Industry's goal is simple : **to provide complementary solutions.** Those that offer our customers the widest possible range of vehicle lighting options.

That's why within our offering, in addition to our proprietary products, we also showcase products from strategic partners.

The OEI portfolio is meticulously curated and includes only those products that we recognize as the most valuable in the market.

Every product at OE Industry undergoes rigorous selection processes, ensuring what matters most to you – uncompromising reliability.

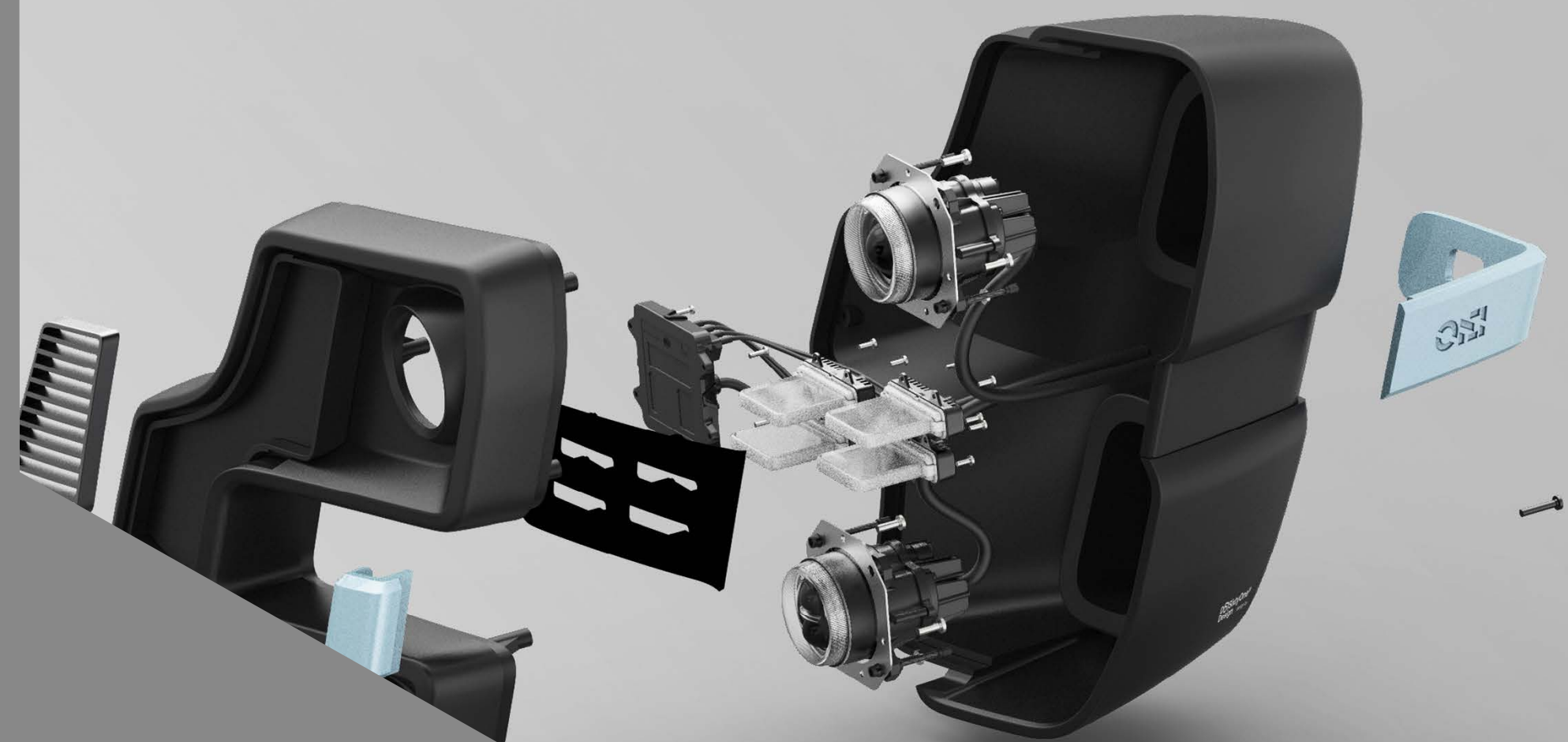
Reliability that resonates for years to come.



OEI consistently responds promptly to evolving customer needs.

This flexibility enables us to dynamically adjust production delivery schedules and maintain inventory levels in line with expected demand.





OEI Turning challenges into opportunities

Producing a lamp within a tight timeframe and utilizing a high budget? **The real art is crafting a surprisingly timeless solution with exceptional quality, within a short period, and with respect for costs.**

At OEI, we consistently redefine limitations: production costs, homologation, optimization of production tools.

We understand perfectly that in a domain where design plays a pivotal role, awareness of all practical production aspects is essential.

Hence, cost estimation, as well as the awareness of where they can be minimized, stands as a crucial criterion for evaluating suppliers in this market.

Target market segments

65%

Public transport

25%

eMobility
Special vehicles

5%

Industry

5%

Agriculture





Bureau Veritas Certification

Certificate
Awarded to

OE INDUSTRY Sp. z o.o.
POLAND
including Branches listed in Appendix

Bureau Veritas Certification certifies that the Management System of the above organisation has been audited and found to be in accordance with the requirements of the management system standards detailed below

STANDARD

ISO 9001:2015
ISO 14001:2015

SCOPE OF CERTIFICATION

DESIGN, MANUFACTURE AND SUPPLIES OF LIGHTING AND COOLING SYSTEMS FOR AUTOMOTIVE AND INDUSTRY.

Certification cycle start date: **13 July 2021**

Subject to the continued satisfactory operation of the organisation's Management System, this certificate is valid until: **12 July 2024**

To check this certificate validity please call: +48 22 549 04 00
Further clarification regarding the scope of this certificate and the applicability of the management system requirements may be obtained by consulting the organisation.

Issue Date: **09 July 2021**

Certificate Number: **PL012568/P**

Joanna Waberska
Local Technical Manager



MANAGING OFFICE ADDRESS: Bureau Veritas Polska Sp. z o.o., ul. Sigulskowa 4, 02-796 Warszawa, Polska
ISSUING OFFICE ADDRESS: Bureau Veritas Polska Sp. z o.o., ul. Sigulskowa 4, 02-796 Warszawa, Polska 2/2



Bureau Veritas Certification

Certificate
Awarded to

OE INDUSTRY Sp. z o.o.
POLAND

Bureau Veritas Certification has issued this appendix to the Certificate awarded to the above named organization

CERTIFICATE NUMBER

PL012568/P

LOCATION OF SITES

HEADQUARTERS: ul. Józefa Marcika 6, 30-443 KRAKÓW
DESIGN, MANUFACTURE AND SUPPLIES OF LIGHTING AND COOLING SYSTEMS FOR AUTOMOTIVE AND INDUSTRY.

SITE: ul. Korolowa 9, 32-085 MODLNICZKA
MANUFACTURE AND SUPPLIES OF LIGHTING AND COOLING SYSTEMS FOR AUTOMOTIVE AND INDUSTRY.

Issue Date: **09 July 2021**

MANAGING OFFICE ADDRESS: Bureau Veritas Polska Sp. z o.o., ul. Sigulskowa 4, 02-796 Warszawa, Polska
ISSUING OFFICE ADDRESS: Bureau Veritas Polska Sp. z o.o., ul. Sigulskowa 4, 02-796 Warszawa, Polska 2/2

Certifications - Instead of Promises

We work for Clients, not for certifications. However, if you're seeking evidence of OE Industry's quality, here it is.

ISO 9001
ISO 14001
BUREAU VERITAS
Certification





Limitless standards

OE Industry stands as a globally-reaching enterprise.

We possess a profound understanding that each continent and every nation operates under distinct collaboration frameworks, different local customs and unique business relationship dynamics.

We respect that. Our goal is to consistently serve as a responsible business partner and a trusted friend to every company.

OE Industry

Marcika 6 street
30-443 Cracow : Poland

First contact :

+48 12 442 00 05

biuro @ oeindustry.com

OE Industry © 2023

Automotive Lighting Technology



Original Equipment
Industry

Design Lab

Future is customized.
Dare to create it.
Finally it's our time.

→ www.oeindustry.com